

# V1182-4510R Series

## HD 5MP IR Vari-Focal 1/1.8" Lenses w/DC Auto Iris

**Infinova**<sup>®</sup>  
The Integrator's Manufacturer



- **5Mpx**
- **DC auto iris**
- **IR corrected optics is suitable for day/night cameras**
- **Aspherical lens to offer you excellent image of high resolution and contrast**
- **Broad range of f4.5~10mm, adapting various applications**
- **Wide aperture of F1.4**
- **Compact structure, easy to install**

Infinova's V1182-4510R series HD 5MP IR lenses which feature wide aperture of F1.4 and broad range of 4.5-10mm are particularly suitable for day/night camera. Able to correct the chromatic aberrations that occur in both visible light and infrared (IR) light, this series lens offers you superb images under all kinds of light conditions.

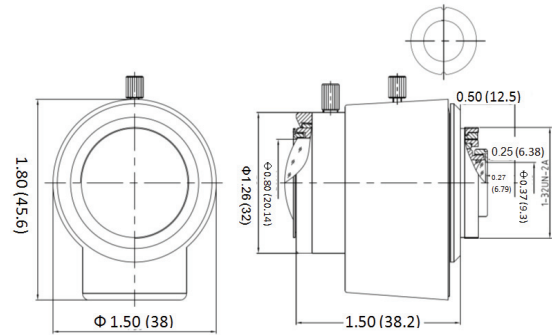
## Technical specifications

Sensor	CCD/CMOS	
Image Size	1/1.8"	
Focal Length	4.5-10mm	
Aperture (F/#)	1.4	
Iris	Auto (DC drive)	
Angle of View (F.O.V.) (D/H/V)	102°~46.5°/80.5°~37°/60°~28°	
Back Focal Length	6.79~11.8mm	
Effective Aperture	Front	Ø20.14mm
	Back	Ø9.3mm
Mount	CS	
Dimensions (Ø×L×W)	1.50"×1.50"×1.80" (Ø38mm×38.2mm×45.6mm)	
M.O.D	0.1m	
Lens Construction	9-9	
<b>Certifications and Approval</b>		
Product Certifications	CE, ISO 9001: 2008	

## Ordering information

V1182-4510R Lens, 5.0 Mega pixels, IR correction, f=4.5-10mm, F/1.4, DC auto iris, 1/1.8 inch, CS, Aspherical

## Dimensions



(Unit: inch, in the parentheses is mm)